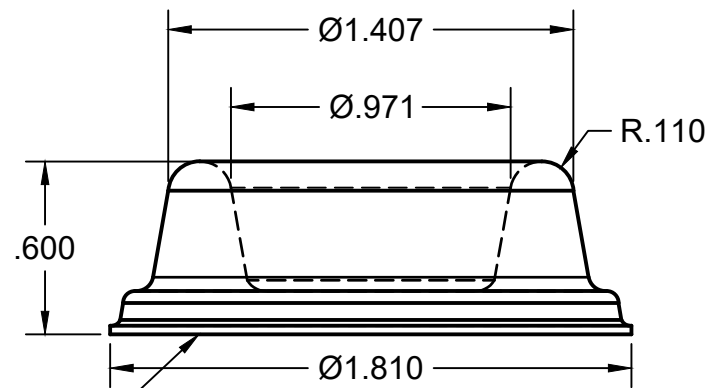
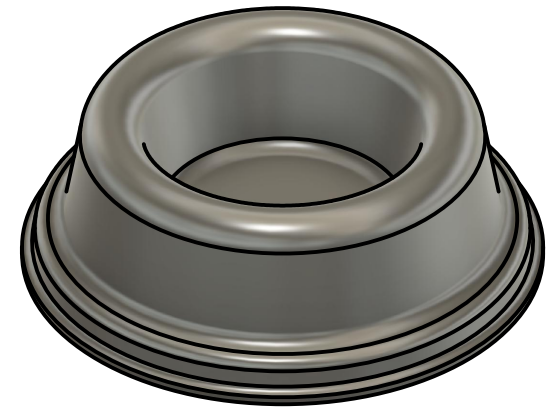
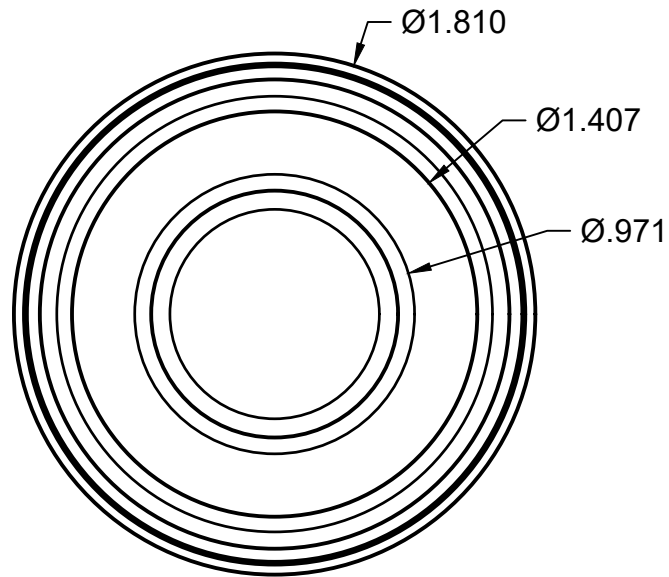


ALL DIMENSIONS IN INCHES



Pressure-Sensitive Adhesive

Nominal web thickness = 0.030"



**MADE IN
THE USA**

COMPANY
Bumper Specialties, Inc.
1607 Imperial Way, West Deptford, NJ 08066
(856)-345-7650
www.BumperSpecialties.com

| | | |
|-----------------------|--------------------------------------|--------------------------|
| TOLERANCE ± 0.020" | DUROMETER, SHORE A 60-70 Standard | MATERIAL Polyurethane |
| PART NO BS30 | DRAWN 11/11/19 | REV 1 |
| | | SHEET 1 of 1 |