

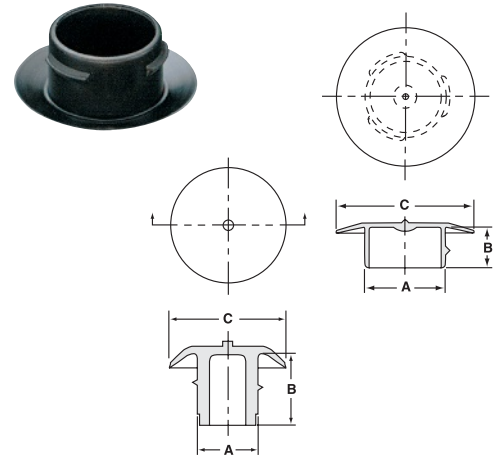
# PIP Series

## Push-In Plugs



PIP Series push-in plugs are designed to fit SAE and NPT thread sizes. These parts offer the convenience of a push-in plug with the plugging quality of a threaded plug.

**Material:** Low-Density Polyethylene **Color:** Black



PIP-1/4 only

\*\* PIP-1/4 and -5/16 are EVA material

## Push-In Plugs PIP Series

Caplugs No.	To Fit SAE Thread Size In	To Fit NPT Thread Size In	Dimensions						Packaging	
			A		B		C		Carton Quantity	Mini Pak Quantity
			In	mm	In	mm	In	mm		
PIP-1/4**	1/4	-	.206	5.23	.25	6.35	.40	10.16	5000	1000
PIP-5/16**	5/16	-	.253	6.43	.24	6.10	.52	13.21	5000	1000
PIP-3/8	3/8	1/8	.317	8.05	.24	6.10	.59	14.99	5000	1000
PIP-7/16	7/16	-	.370	9.40	.27	6.86	.64	16.26	5000	1000
PIP-1/2	1/2	1/4	.444	11.28	.27	6.86	.72	18.29	5000	1000
PIP-9/16	9/16	-	.500	12.70	.29	7.37	.81	20.57	5000	1000
PIP-5/8	5/8	3/8	.558	14.17	.29	7.37	.96	24.38	5000	1000
PIP-3/4	3/4	-	.681	17.30	.29	7.37	.95	24.13	5000	1000
PIP-7/8	7/8	-	.797	20.24	.29	7.37	1.15	29.21	5000	1000
PIP-11/16	11/16	-	.610	15.49	.29	7.366	.96	24.38	5000	1000
PIP-13/16	13/16	-	.735	18.67	.29	7.366	1.10	27.94	5000	1000
PIP-1	1	3/4	.918	23.32	.25	6.35	1.30	33.02	5000	1000
PIP-1 1/16	1-1/16	-	.974	24.74	.25	6.35	1.40	35.56	4500	900
PIP-1-3/16	1-3/16	-	1.087	27.61	.34	8.636	1.52	38.61	5000	1000
PIP-1-1/4	1-1/4	-	1.150	29.21	.34	8.636	1.60	40.64	4000	800
PIP-1-5/16	1-5/16	-	1.212	30.78	.46	11.684	1.65	41.91	4000	800
PIP-1-7/16	1-7/16	-	1.377	34.98	.59	14.986	1.80	45.72	3000	600
PIP-1 5/8	1-5/8	-	1.525	38.74	.46	11.68	2.03	51.56	2000	400
PIP-1 7/8	1-7/8	-	1.775	45.09	.50	12.70	2.28	57.91	1500	300