

“Stay Connected” with



HEYware Products

a PennEngineering® Company

Heyco® Nytye® Mounting Platforms

Push Mount Platforms

MAX. TENSILE STRENGTH	MOUNTING HOLE DIA.	MAX. PANEL THICKNESS*		INSERT POINTS	PART NO.	DESCRIPTION	PART DIMENSIONS							
							A		B		C			
Lbs.	N	in.	mm.	in.	mm.	Natural	in.	mm.	in.	mm.	in.	mm.		
Arrowhead Mount														
50	222	.19	4,8	.08	2,0	2	4266	MP PM-19	.56	14,3	.24	6,1	.63	15,9
		.25	6,4	.11	2,8	2	3762	MP PM-25	.63	15,9	.28	7,1	.69	17,5
		.26	6,7	.35	9,0	2	4267	MP PM-26	.80	20,2	.31	7,9	.82	20,9
Blind Head Mount*														
40	178	.31	7,9	.25	6,4	2	4268	MP PMB-31	.43	11,0	.33	8,3	.52	13,1
Reverse Button Mount														
50	222	.25	6,4	.13	3,2	2	3592	MP R-2	.42	10,7	.15	3,8	.41	10,3

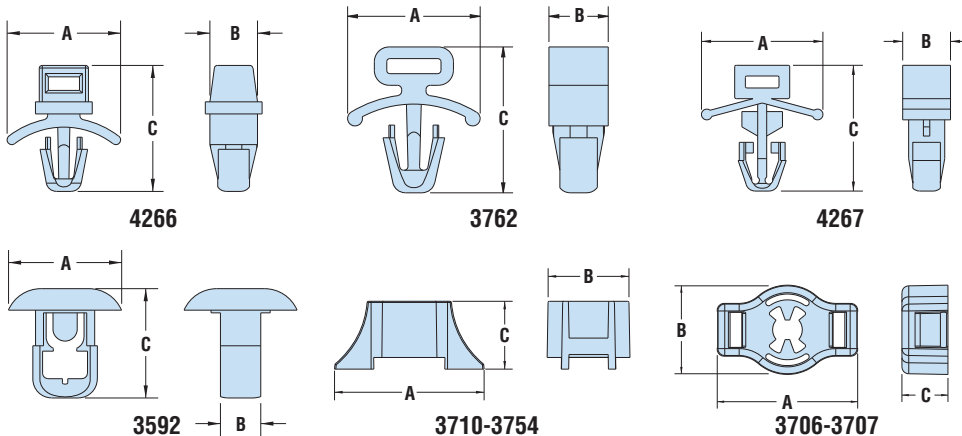
*Minimum Panel Thickness for Blind Mount Platforms

Snap Over Bolt Platforms

MAX. TENSILE STRENGTH	INSERT POINTS	BOLT SIZE		PART NO.	DESCRIPTION	PART DIMENSIONS						
		in.	mm.			A		B		C		
Lbs.	N			Black		in.	mm.	in.	mm.	in.	mm.	
NEW! NEW! 50	222	2	#10	5,0	3706	MP S-M5*	.96	24,4	.60	15,2	.32	8,1
			1/4	6,0	3707	MP S-M6						
120	534	2	1/2	12,0	3710	MP S-1/2	2.31	58,7	1.25	31,8	1.05	26,7
			9/16	14,0	3711	MP S-9/16						
			5/8	16,0	3754	MP S-5/8						

Standard color black.

*3706 will also work with the PEM X-Press 5 mm stud.



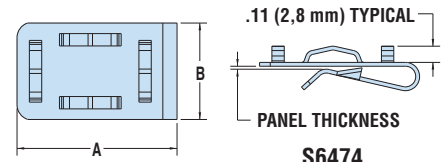
- Multiple sizes, strengths, and mounting options anchor Nytyes® securely.
- Five Types:
 - 1) Flat - Adhesive-Back and Screw Mounts
 - 2) Saddle - Screw Mount only
 - 3) Push Mount - Arrowhead and Blind Mounts
 - 4) Snap Over Bolt
 - 5) Stainless Steel Clip
- Rubber based adhesive effective up to 126°F (52°C).
- Apply Adhesive-Backed parts to a clean, dry surface.
- For Push Mount and Snap Over Bolt Platform Quick Specs, see page 7-68.

Stainless Steel Edge Clip Platforms

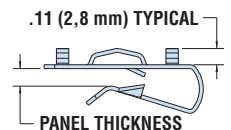
ALL NEW PRODUCTS

MAX. CABLE TIE WIDTH*	PANEL THICKNESS RANGE				INSERT POINTS	PART NO.	DESCRIPTION	PART DIMENSIONS					
	Minimum	Maximum	in.	mm.				A		B		C	
in.	mm.	in.	mm.	in.	mm.			in.	mm.	in.	mm.		
.31	8,0	.06	1,5	.13	3,3	4	S6474	1.03	26,2	.63	16,0	.77	19,5
		.13	3,3	.25	6,4	4	S6475						

*Edge Clip Platforms SunRunner CT and CT-EZ fit all Heyco Stainless Steel Cable Ties, see page 7-69



S6474



S6475

Material .025" Thick 304 stainless steel (CT & CT-EZ)
 Certifications Certified by UL for Compliance with both Canadian and US Requirements under File E54523